

3/2-shut-off valve, mechanically operated, Series 653

- Qn 1►2 = 33000-51900 l/min

- Qn 2►3 = 300 l/min



Brand

Activation

Control pressure min./max.

Ambient temperature min./max.

Medium temperature min./max.

Medium

Weight

ASCO Numatics

Mechanical

0 ... 20 bar

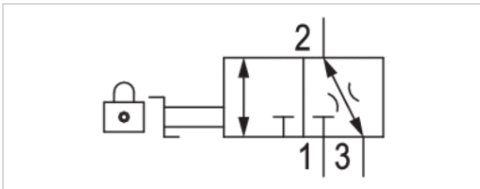
-10 ... 50 °C

-10 ... 50 °C

Compressed air Neutral gases

0.94 kg

The delivered product varies from that in the illustration. See the drawing for an exact description.



Technical data

Part No.	Port	Flow	Flow	Material Silencer
		Qn 1 ► 2	Qn 2 ► 3	
G653A3M05011100	G 3/4	33000 l/min	300 l/min	metal
G653A3M050A0000	G 3/4	33000 l/min	300 l/min	-
G653A3M06011100	G 1	51900 l/min	300 l/min	metal
G653A3M060A0000	G 1	51900 l/min	300 l/min	-

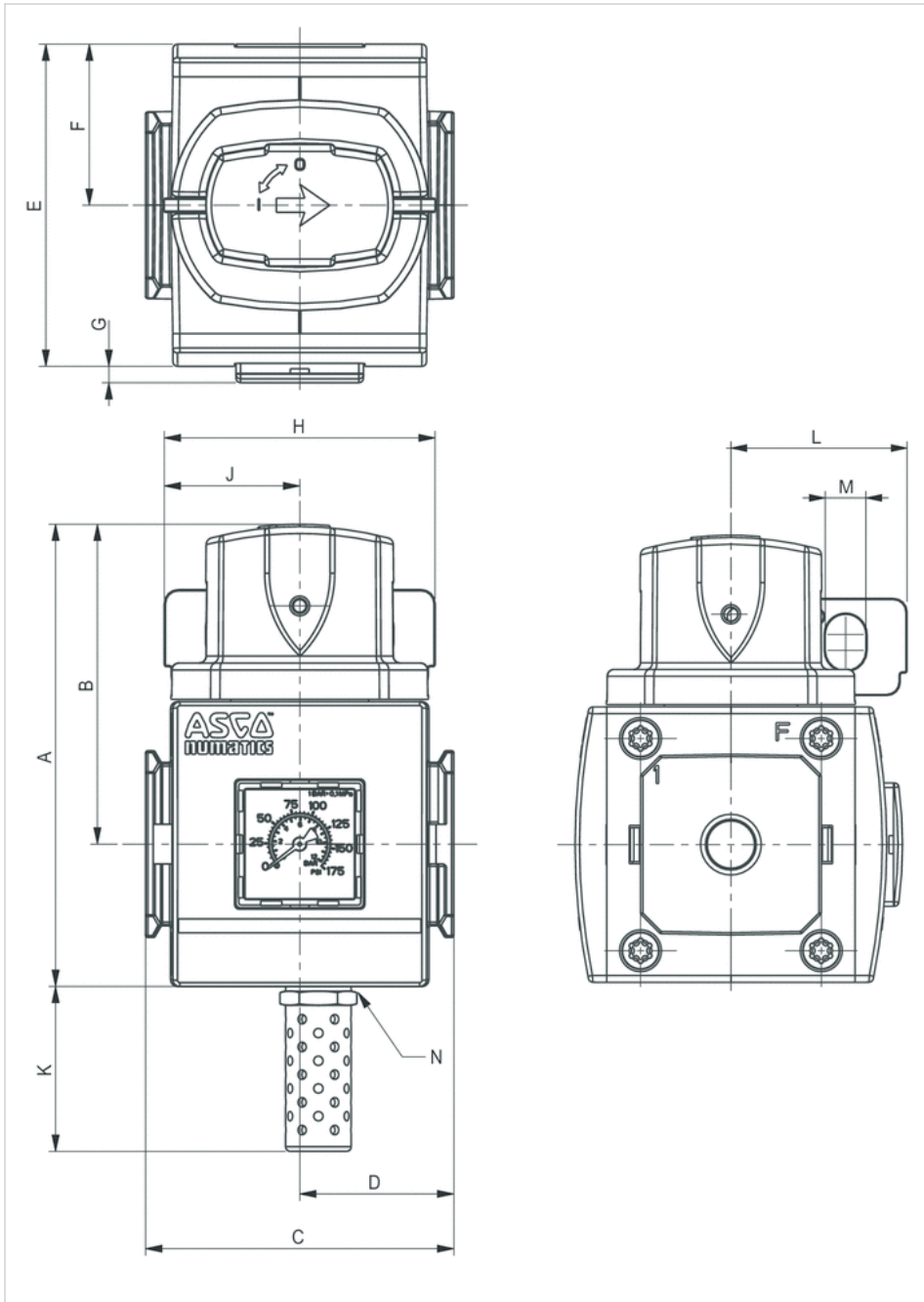
Nominal flow Qn at 6.3 bar and $\Delta p = 1$ bar

Technical information

Material	
Housing	Aluminum
Seals	Nitrile butadiene rubber

Dimensions

Dimensions

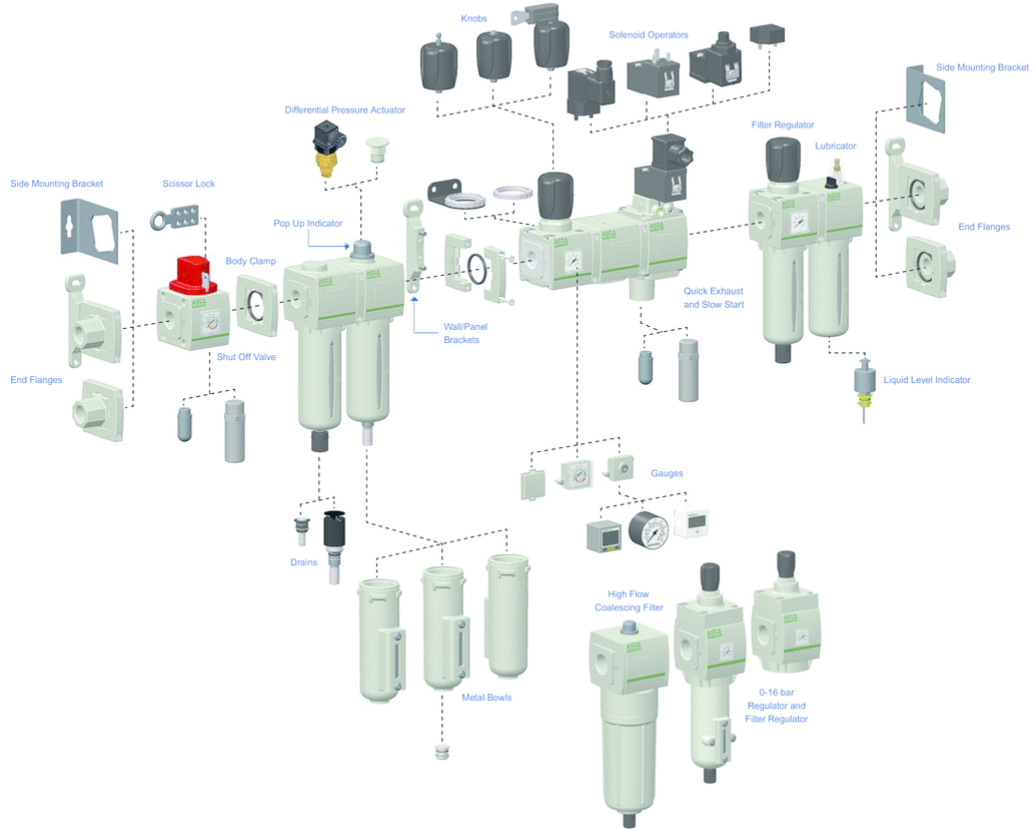


Dimensions

Series	A	B	C	D	E	F	G	H	J	K	L	M	N
653	120	79	90	45	93	46,5	1,9	58	29	46,7	38	9	G 3/8

Accessories overview

Accessories overview



Ordering information

G 651 A 3 M 0 2 G A00 00

Thread connection
 G = ISO 228/1-G ⁽¹⁾
 8 = NPTF

Product series
 651
 652
 653

Revision letter
 A

Product type
 2 = 2/2 - Shut Off Valve
 3 = 3/2 - Shut Off Valve

Valve Type
 M = Manually Operated Ball Valve with Lockout

Pilot valve /Electrical connection
 0 = No Electrical Connection

Port size
 1 = 1/8 (651 Series)
 2 = 1/4 (651 or 652 Series)
 3 = 3/8 (652 Series)
 4 = 1/2 (652 Series)
 5 = 3/4 (653 Series)
 6 = 1 (653 Series)

Options ⁽²⁾
 A00 = Without option
 101 = Side Mounting Brackets
 109 = FPM seals
 111 = Metal Muffler
 112 = Polyethylene Muffler
 113 = Stainless steel fasteners
 115 = Scissor Lock
 117 = ATEX zones 1-21
 122 = Bottom oriented pressure adjustment
 123 = Gauge type mounted for right-to-left flow
 124 = CUTR Certification (EAC)
 125 = CUTR Ex
 2B9 = 111 + 115

Gauge type
 G = Low profile integrated gauge bar/PSI
 J = Low profile integrated gauge bar/PSI with pressure range indicators
 Q = Round gauge bar/PSI
 0 = No gauge port
 P = Port Plate Rc 1/8

⁽¹⁾ Conforms to ISO standards 1179-1.
⁽²⁾ [If multiple options are required, please use the on-line CAD configurator on the website to generate the part number \(www.asco.com\).](http://www.asco.com)