

Extension kit, exhaust module for supply plate

- for series AV03



Working pressure min./max.	-0,95 ... 10 bar
Ambient temperature min./max.	-10 ... 60 °C
Max. particle size	40 µm
Oil content of compressed air	0 ... 5 mg/m ³

Technical data

Part No.	Type
R412018331	Exhaust module 3, 5, and R with flat silencer
R412018332	Exhaust module with combined collected exhaust 3 and 5
R412018333	Exhaust module with separate collected exhaust 3 and 5

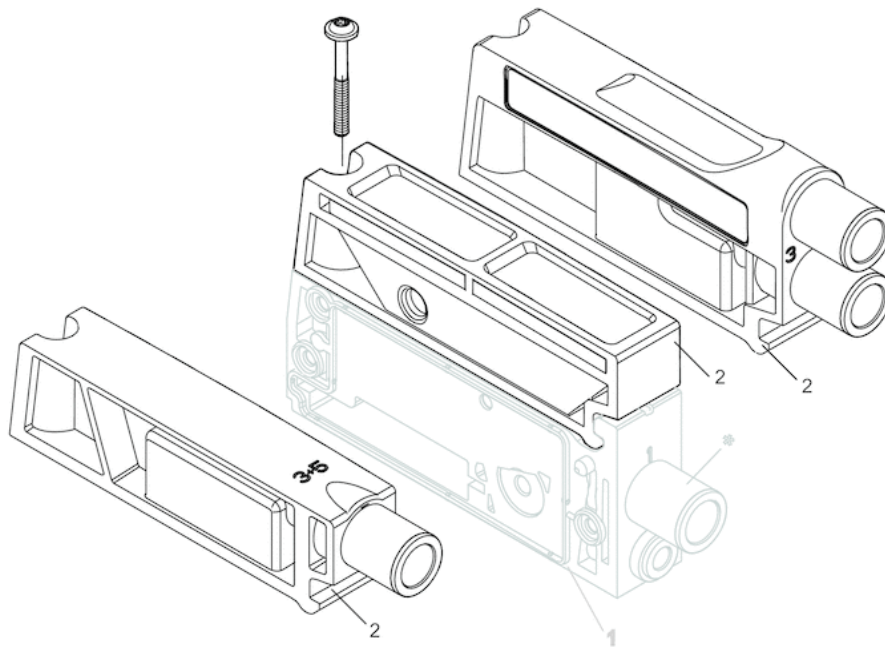
Part No.	Scope of delivery
R412018331	Exhaust module, including 1 seal, 1 mounting screw
R412018332	Exhaust module, incl. 1 mounting screw, push-in fitting Ø 8 mm
R412018333	Exhaust module, incl. 1 mounting screw, push-in fitting Ø 8 mm

Technical information

When using polyurethane tubing, we recommend using additional stiffener sleeves.
For push-in fittings, only use plug accessories made of plastic (polyamide) from our catalog.

Dimensions

Overview drawing



2) Exhaust module

Efficient pneumatic solutions, our program: cylinders and drives, valves and valve systems, air supply management



Visit us: [Emerson.com/Aventics](https://www.emerson.com/Aventics)

Your local contact: [Emerson.com/contactus](https://www.emerson.com/contactus)



[Emerson.com](https://www.emerson.com)



[Facebook.com/EmersonAutomationSolutions](https://www.facebook.com/EmersonAutomationSolutions)



[LinkedIn.com/company/Emerson-Automation-Solutions](https://www.linkedin.com/company/Emerson-Automation-Solutions)



[Twitter.com/EMR_Automation](https://twitter.com/EMR_Automation)

An example configuration is depicted on the title page. The delivered product may thus vary from that in the illustration. Subject to change. This Document, as well as the data, specifications and other information set forth in it, are the exclusive property of AVENTICS GmbH. It may not be reproduced or given to third parties without its consent. Only use the AVENTICS products shown in industrial applications. Read the product documentation completely and carefully before using the product. Observe the applicable regulations and laws of the respective country. When integrating the product into applications, note the system manufacturer's specifications for safe use of the product. The data specified only serve to describe the product. No statements concerning a certain condition or suitability for a certain application can be derived from our information. The information given does not release the user from the obligation of own judgement and verification. It must be remembered that the products are subject to a natural process of wear and aging.

The Emerson logo is a trademark and service mark of Emerson Electric Co. Brand logotype are registered trademarks of one of the Emerson family of companies. All other marks are the property of their respective owners. © 2020 Emerson Electric Co. All rights reserved.
2020-12



CONSIDER IT SOLVED™